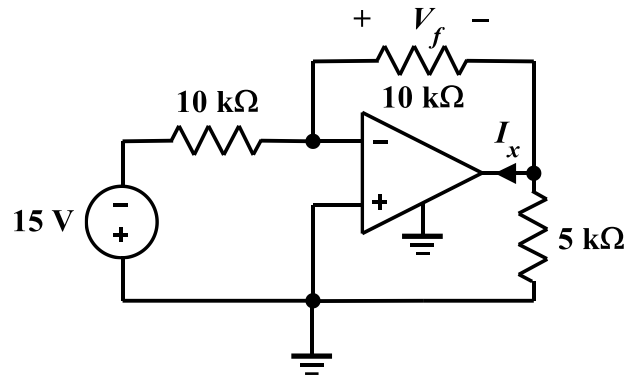


EE 2240
Homework Problem #040



The OpAmp is ideal. Determine:

(a) The value of V_f .

(b) The value of I_x .